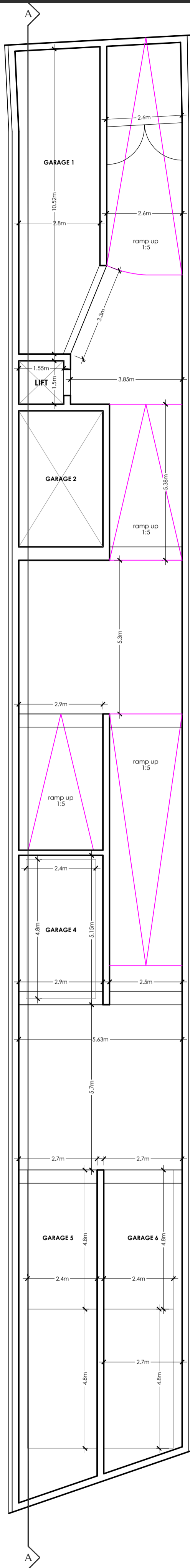


**PROPOSED**  
**Basement Level -2**  
scale 1:100 .



**PROPOSED**  
**Basement Level -1**  
scale 1:100 .

NOTES

FF	FUGLI-FIL FINISH	TA	TIMBER APERTURE
PF	PAINT FINISH	AA	ALUMINIUM APERTURE
SF	STONE FINISH	MA	METAL APERTURE
WIR	WROUGHT IRON RAILING		
AR	ALUMINIUM RAILING		
AGR	ALUMINIUM GLASS RAILING		

<span style="color: red;">■</span>	TO CONSTRUCT	<span style="color: blue;">■</span>	TO SANCTION
<span style="color: yellow;">■</span>	TO DEMOLISH	<span style="color: green;">■</span>	APPROVED BUT NOT BUILT

LEGEND

PROJECT

TITLE

LOCALITY

CLIENT

DRAWING REFERENCE

SCALE

DATE

DRAWN BY

PROJECT ARCHITECT

15 - february - 2018

A2